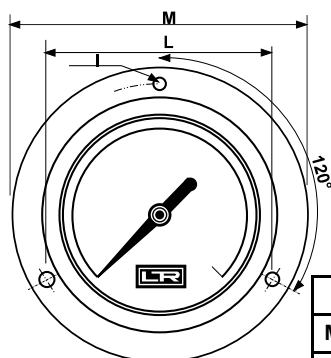
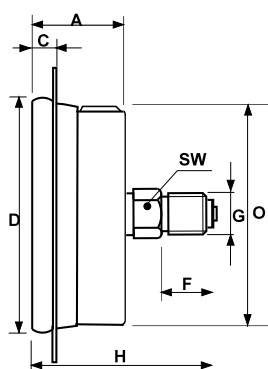




**MG6F / MG8F / MG1F  
Pressure Gauge**

**LEITENBERGER**  
Mess- und Regeltechnik GmbH  
Bahnhofstraße 32/33  
D-72138 Kirchentellinsfurt  
Fon: +49 (0)7121/908-0  
Fax: +49 (0)7121/908-200  
E-Mail: mrt-info@leitenberger.de



Type	NG	A	C	D	F	G	H	I	L	M	O	SW
MG6F	63	29	7,3	68,3	13	1/4 SAE or 1/8 NPT	60	4,5	75	84,5	64	14
MG8F	80	29	7,5	86	10	1/8 NPT or 1/2 SAE	60	5	96	110	82	14
MG1F	100	39	8	105	18	1/2 SAE	72	5	118	132	101	22

**High- and Low-Pressure Gauge glycerin-filled,  
with back connection front panel mounting  
2 scales for pressure bar + psi; 4 coloured scales for refrigerants**

- Case: AISI 304 stainless steel
- Window: Plexiglass
- Ring: AISI 304 stainless steel, polished
- Socket: 1/4 SAE or 1/8 NPT, bottom, OT 58 brass
- Elastic element: Phosphor bronze
- Movement: Gearing, OT 59 brass
- Dial: White
- Pointer: Black oxidized aluminium
- Range: High pressure: -1/+38 bar / Low pressure: -1/+18 bar
- Accuracy: CL 1,6
- Ambient-T : +15 / +65°C
- Process Fluid-T: max. +65°C
- Process Pressure: max. 75% of full scale value
- Over Pressure: 25% of full scale value
- Blow-Out: EPDM
- Protection: IP65 according DIN EN 60529 / IEC29
- Options on Request:
  - Scales for all marketable refrigerants
  - Dry version without glycerine
  - other connectors

